

User Manual of
BOSSGSM-GDU-HP33 Outdoor repeater

CATALOGUE

Chapter 1 Safety Warning	
Chapter 2 Summary	
Chapter 3 Specs and features	
3.1 Features	
3.2 System diagram	
3.3 Electrical Specification	
3.4 Mechanical Specification	
3.5 Appearance Diagram	
Chapter 4 Installation	
4.1 Installation requirements	
4.2 Installation.....	
4.3 Connection	
4.4 System inspection.....	
Chapter 5 Repeater setting	
5.1 Power supply connection	
5.2 Performance Setting	
Chapter 6 Engineering Maintenance	
6.1 Operation and maintenance.....	
6.2 Emergency dealing	
6.3 Maintaining directions	

Chapter 1 Safety Warning

Users must follow the below principles:



1. Repeater should follow system requirement of communication equipment, assure good groundings and lightning protection.



2. The power supply voltage of repeater should meet the standards of security requirement; any repeater-operator can operate only after cutting power in advance. Only the professional can operate electrified.



3. Do not dismantle machine, maintain or displace accessories by yourself, because in this way, the equipment may be damaged or even get an electric shock.



4. Do not open the repeater, touch the module of repeater, even not to open the cover of module to touch the electronic component, the components will be damaged due to electrostatic

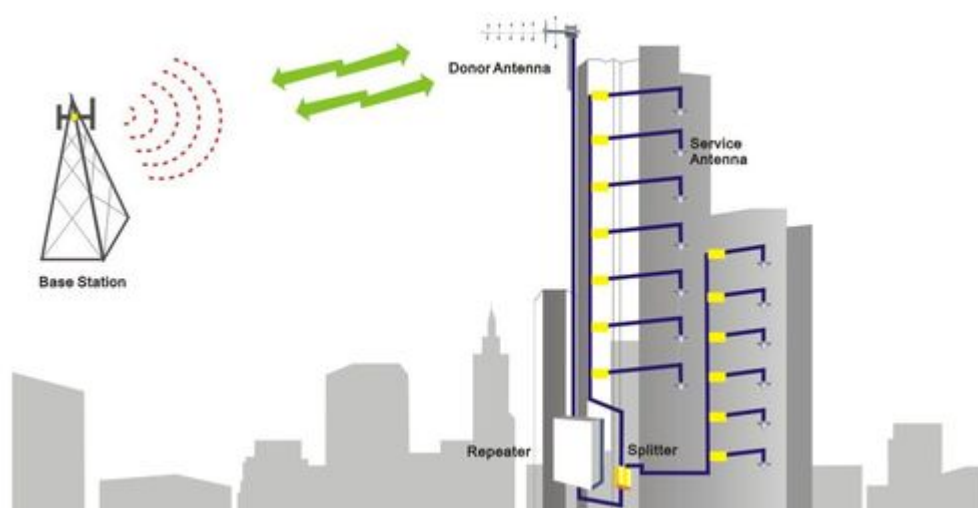


5. Please keep away from heating-equipment, because the repeater will dissipate heat when working. And do not cover repeater with anything that influences heat-dissipation.

Chapter 2 Summary

In mobile communication, it is inevitable that macro-cell coverage cannot cover weak or dead zones; to use repeater is a good choice in these areas. Indoor repeaters mainly applied in covering small blind and weak zones.

Outdoor repeater BOSSGSM-GDU-HP33 is a good choice for VIP rooms, offices, houses, restaurants, apartments, packing, etc.



Picture 2.1 Application

Outdoor repeater BOSSGSM-GDU-HP33 enhances consumer satisfaction greatly with its integrated design, compact size, easy engineering and rapid installation and debugging,

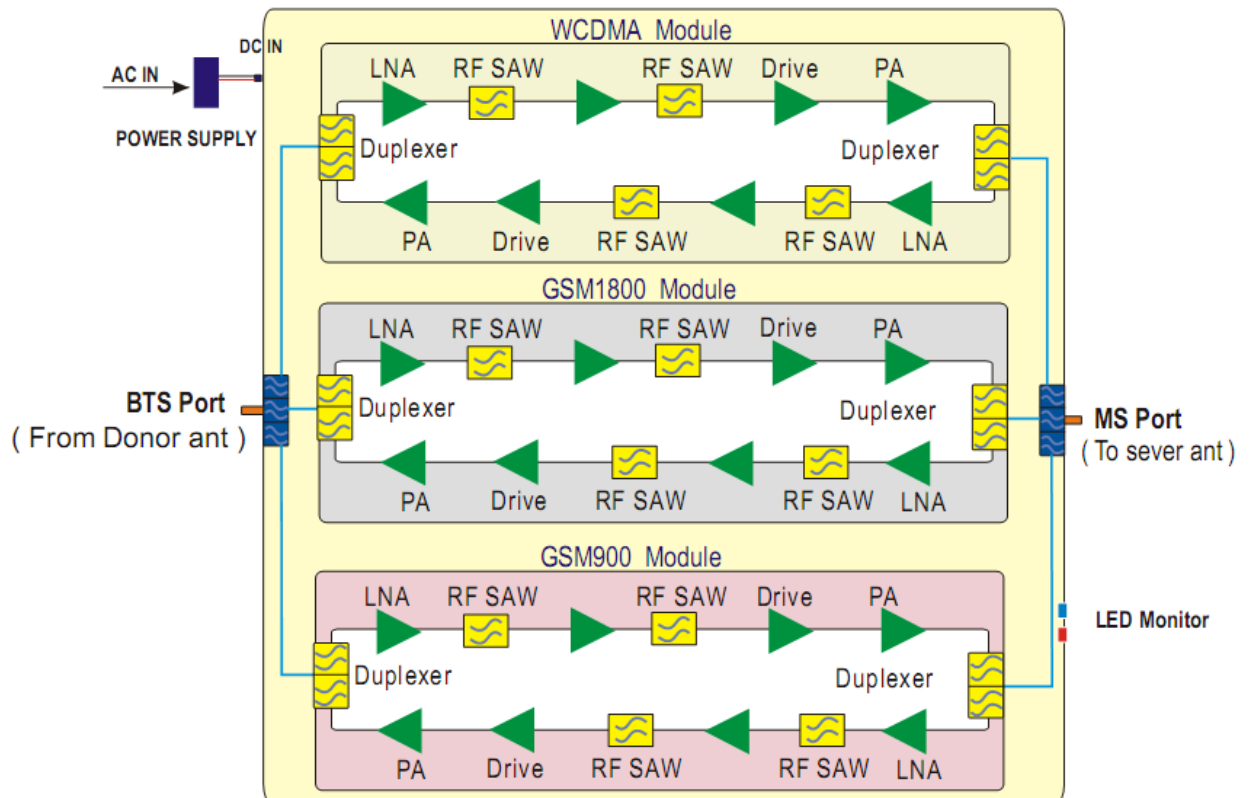
Outdoor repeater BOSSGSM-GDU-HP33 is made with the characteristics of aesthetic design, and thus can be installed in high-class places as a decoration.

Chapter 3 Specs and features

3.1 Features

- Adjustable range of 31dB at 1dB per step.
- Highly stable power design, to work normally even in very tough power environments.
- ALC technology to maintain stable signal in coverage areas
- Compact design , light weight and cost effectiveness
- LED indication for power on/off
- Wide band function to work on all mobile operators , GPRS ,EDGE, HSDPA ,WCDMA support
- Low power consumption , low interference
- Applicable to In-building with medium or small size with maximum coverage up to 2000 square meters , such as VIP room , office , house , restaurants ,apartments , parking etc

3.2 System diagram

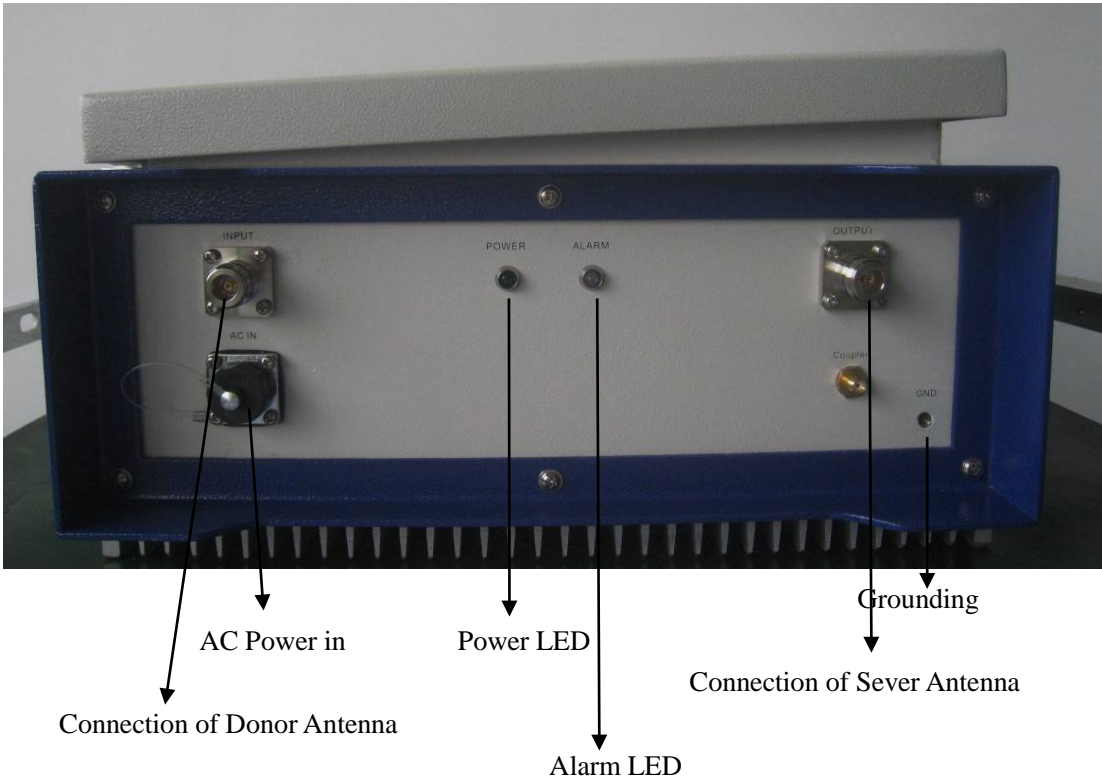


3.3 Electrical Specification

Items		Uplink	Downlink
Frequency Range	GSM	890 ~ 915 MHz	935 ~ 960 MHz
	DCS	1710 ~ 1785 MHz	1805 ~ 1880 MHz
	WCDMA	1920 ~ 1980 MHz	2110 ~ 2170 MHz
Bandwidth	EGSM	25 MHz	25 MHz
	DCS	75 MHz	75 MHz
	WCDMA	60 MHz	60 MHz
Output Power		20±2 dBm	33±2 dBm
Gain		75±2 dB	80±2 dB
Max. Input Power Without Damage		-10 dBm	-10 dBm
Ripple	EGSM	≤15 dB	≤15 dB
	DCS	≤10 dB	≤10 dB
	WCDMA	≤6 dB	≤6 dB
VSWR		≤2	≤2
Intermodulation Products		≤-45 dBc	≤-36 dBc
Spurious Emission	9KHz~1GHz	≤-36 dBm	≤-36 dBm
	1GHz~12.75GHz	≤-30 dBm	≤-30 dBm
Noise Figure @ max. gain		≤8 dB	≤8 dB
ATT step of 1 dB	1~10 dB	Δ ≤1 dB	Δ ≤1 dB
	10~20 dB	Δ ≤1 dB	Δ ≤1 dB
	20~25 dB	Δ ≤1.5 dB	Δ ≤1.5 dB
ALC Active 10dB		Δ ≤2 dB	Δ ≤2 dB
Time Delay		≤1.5 μs	≤1.5 μs
Alarm	ALC not Active	—	Green
	ALC Active 5-10dB	—	Orange
	ALC Active 15-20dB	—	Red
LED Indication	Power On	Green	
	Power Off	No Light	

Power Supply	AC: 220V/50Hz
Environment Conditions	IP65
Humidity	< 90%
Operating Temperature	-10°C~+55°C

3.5 Appearance Diagram



Chapter 4 Installation

4.1 Installation requirements

Outdoor repeaters BOSSGSM-GDU-HP33 are mainly applied as indoor coverage system, the changes of air moisture and temperature may influence its reliability. So such factors as the temperature, air moisture, dustproof, current source and space requirement, etc shall be fully considered during installation.

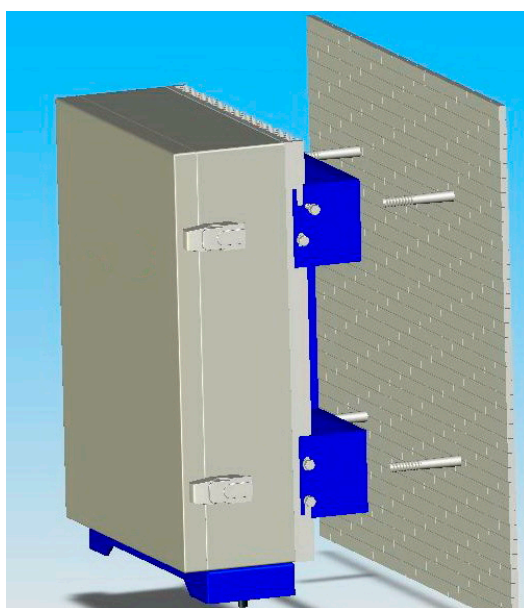
■ Position selection

- Install in the place that is not easy to be reached by irrelevant people.
- Install at the place that is convenient for power supply and cabling.
- Avoid heat source and moist environment
- Install at drought space, hang on wall vertically in order to assure good heat distribution.

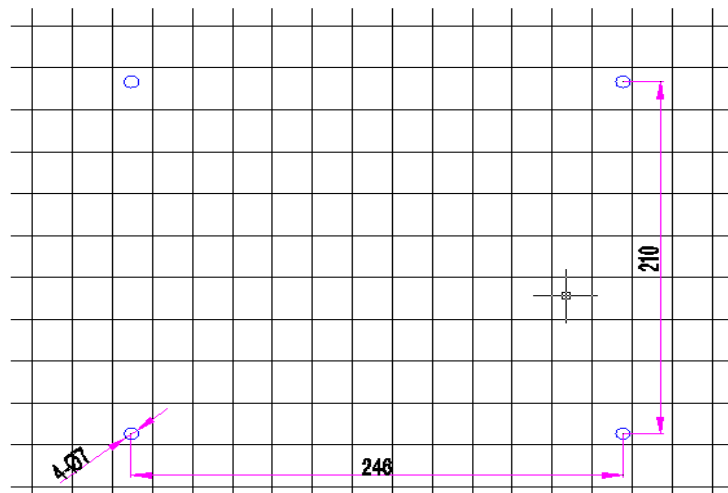
■ Power supply requirement

AC power supply of 9~265V/50±5Hz

4.2 Installation



Picture 4.1 Installation diagram



Picture 4.2 Hole positions

Installation Steps:

- A) Use percussion drill to make four $\Phi 4$ holes on the wall according to above hole diagram.
- B) Fill the holes with expanding plug
- C) Put the tapping screw through the holes and fit tightly with the expanding plug, and fasten the repeater onto the wall.
- D) Make sure that the installation is firm and correct

4.3 Connection

■ Connection of RF cable

BTS Port : donor antenna cable is connected with BS Port;

MS Port : service antenna cable is connected with MS Port;

■ Grounding

Please connect one end of a copper wire with the intersection size of 16mm² with the grounding screw, and the other end with the grounding system of the building. It is requested that the grounding impedance shall be less than 100 Ω .

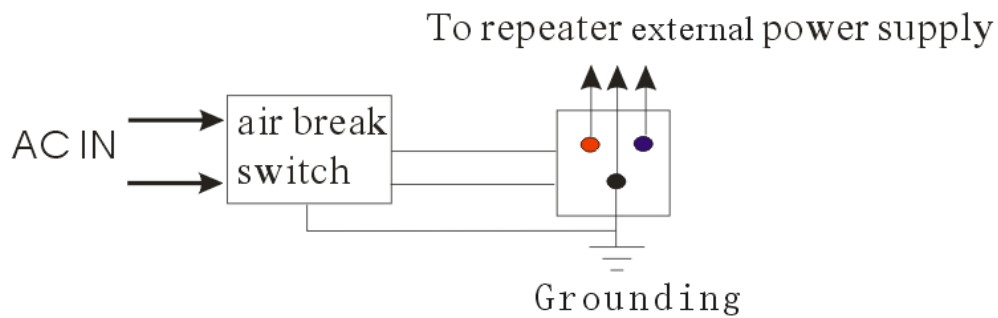
■ Power supply connection

Installation of air switch is recommended for the convenience of power supply switch off.

Please use three-pin plug to assure good grounding

Please use the grounding screw, nut, washer to connect the grounding wire and repeater shell

Lightening Arrestor can be installed if necessary



Picture 4.3 Power supply connection

4.4 System inspection

The followings should be checked after installation:

- Grounding impedance <math>< 10\Omega</math>;
- Antenna socket, cable are well grounded;
- Power supply lightning protection
- Building lightning protection
- Antenna lightning Protection.

Chapter 5 Repeater setting

Please check whether the connection of RF cable is correct (donor antenna connected to BTS port, service antenna connected to MS port), and whether every port is stable. After affirmation, please go along the followings:

5.1 Power supply connection

After power supply connection, check ALARM and POWER indicators first.

- Status and definition of POWER indicators:

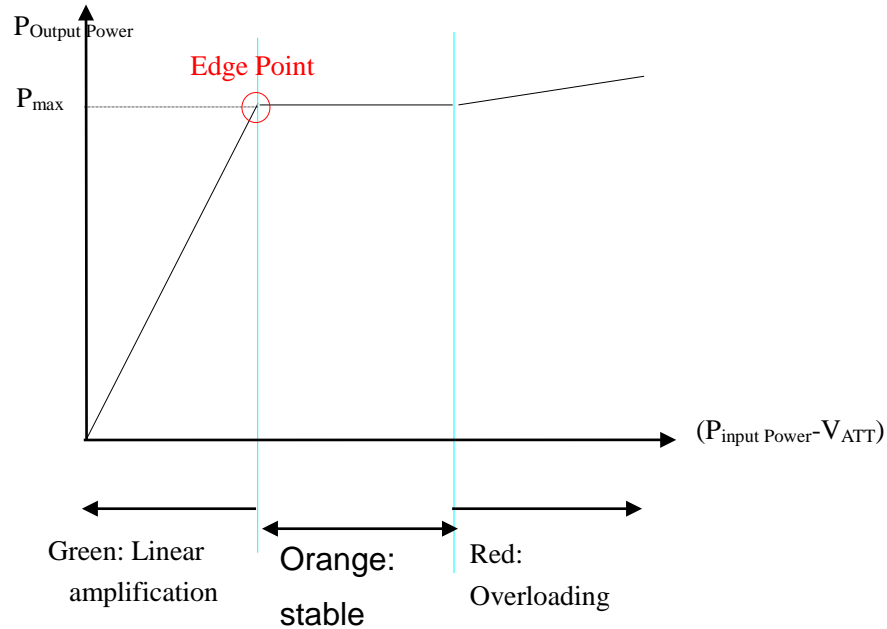
Status	Definition
Green	Normal
Off	AC power problem

- Status and definition of ALARM indicators:

Status	Definition of ALARM
Green	Meaning: working in linearity
	attention: Input signals may be not enough
Red	Meaning: overloading or self oscillation, strong input signals
	Attention: cut the connection of equipment and service antenna, then connect the MS port to load, if the red light changes to green or orange, which means the isolation of donor antenna and service antenna is not enough, then please adjust the isolation. If the red light still turning on that means over accepting of donor antenna or strong interference, then please adjust the place of donor antenna..
Orange	Meaning: it is working in linearity
	Notice: Please adjust MGC to increase the attenuation value, till you find the “edge point”, and let the repeater work at this point.
Off	Repeater break down

5.2 Performance Setting

✧ Curve chart of equipment working condition



Picture 5.1 : Curve of output power, input signal and attenuation value

$P_{\text{Output Power}}$: output power

$P_{\text{input Power}}$: input power

V_{ATT} : attenuation value

$P_{\text{input Power}} - V_{\text{ATT}}$: input power—attenuation value

P_{max} : output power rating

✧ Downlink gain setting

As for the downlink working performance, “orange” is a good working point. At this time, downlink output power and coverage effect are stable.

But from another point of view, we hope the equipment is as far as possible away from overloading status of “red” (thus the equipment would hold higher interference depression ability). So we try our best to set the equipment near “edge point” when engineering.

Setting of “edge point”: (Switch on the power supply after connection with donor antenna and coverage antenna, and observe ALARM indicator.)

- If it shines “orange”, use 1dB as stepping to increase attenuator until “green” turns on, then decrease 1~3dB attenuation value until “orange” turns on. The setting of downlink gain can reach the perfect status.

- If it shines “green” then,

- ◆ To check whether the attenuation value has been set, if it is, use 1dB as stepping to decrease attenuation until the “orange” turns on, then the downlink gain can reach the perfect status.

- ◆ But if attenuation is not set, it indicates that the input power is not enough.

- Then please check coverage effect first, if the coverage effect is good, the engineering has reached expecting target

- But if the coverage effect is not so good, the donor antenna should be adjusted until “orange” turns on or the effect reaches the target.

◇ **Uplink gain setting**

Uplink gain is set based on downlink gain..

Standards: uplink attenuation value=downlink attenuation value

Chapter 6 Engineering Maintenance

6.1 Operation and maintenance

- **Equipment Disassembly**

Close the outside air switch

Plug off the power supply

- **Cleaning**

Close the outside air switch

Plug off the power supply.

Do not use liquid materials to clean the equipment to avoid short circuit;

Please use dry dishclout

- **Grounding**

Using grounded power plug (three-pin plug)

- **Power supply**

Please make sure the voltage and frequency comply with the repeater requirement.

Component replacement

Please do not maintain or replace components by yourself, otherwise may get an electric shock. Only the authorized professional can maintain and replace the components.

- **Waterproof and moist proof**

Please do not turn on or off the booster in moist environment when its door is opened.

6.2 Emergency dealing

Switch off is recommended during following situations:

- The power supply is not normal
- Liquid flows into the equipment;
- Working conditions is not normal, (overheating, abnormal smelling, abnormal sundries)
- Closet damage
- Performance decrease
- Near to fire
- Flooding

6.3 Maintaining directions

Please check the booster step by step according to below processes, to find out the problem with the repeater

